



US00D731858S

(12) **United States Design Patent**  
**Golic et al.**

(10) **Patent No.:** **US D731,858 S**

(45) **Date of Patent:** **\*\* Jun. 16, 2015**

(54) **COOLER**

(71) Applicant: **GOLIC, LLC**, Avon, CT (US)

(72) Inventors: **Jacob Kenneth Golic**, Avon, CT (US);  
**Michael Louis Golic**, Avon, CT (US);  
**Aaron Szymanski**, Thomaston, CT (US);  
**Michael Mennone**, Guilford, CT (US);  
**Mohan Rajasekaran**, Bristol, CT (US)

(73) Assignee: **GOLIC, LLC**, Avon, CT (US)

(\*\*) Term: **14 Years**

(21) Appl. No.: **29/460,424**

(22) Filed: **Jul. 10, 2013**

(51) **LOC (10) Cl.** ..... **07-01**

(52) **U.S. Cl.**  
USPC ..... **D7/605**

(58) **Field of Classification Search**

USPC ..... D7/605-608, 629; 62/457.1-457.9,  
62/371, 372; 220/592.01, 592.03, 592.08,  
220/592.2, 592.16-592.27, 915.1, 915.2;  
280/87.043, 79.2, 655, 47.21, 47.24,  
280/47.18, 47.17, 655.1, 47.23, 652, 47.33,  
280/638, 47.26, 47.2  
CPC .... F25D 2331/804; A45C 11/20; A45C 5/14;  
B62B 2202/52

See application file for complete search history.

(56) **References Cited**

**U.S. PATENT DOCUMENTS**

1,895,864 A 1/1933 Ricci  
2,663,391 A \* 12/1953 Kuhns ..... 190/12 R

(Continued)

**FOREIGN PATENT DOCUMENTS**

FR 2782620 3/2000

**OTHER PUBLICATIONS**

ISR & WO PCT/US2014/046132 dated Nov. 3, 2014.

*Primary Examiner* — Terry Wallace

(74) *Attorney, Agent, or Firm* — Cantor Colburn LLP

(57) **CLAIM**

We claim, the ornamental design for a cooler, as shown and described.

**DESCRIPTION**

FIG. 1 is a front perspective view of a cooler, showing our new design in an exemplary embodiment;

FIG. 2 is a front perspective view of the embodiment shown in FIG. 1, the cooler being shown in another configuration;

FIG. 3 is a front elevation view of the embodiment shown in FIG. 1;

FIG. 4 is a rear elevation view of the embodiment shown in FIG. 1;

FIG. 5 is a top plan view of the embodiment shown in FIG. 1;

FIG. 6 is a bottom plan view of the embodiment shown in FIG. 1;

FIG. 7 is a side elevation view of the embodiment shown in FIG. 1;

FIG. 8 is another side elevation view of the embodiment shown in FIG. 1;

FIG. 9 is a sectional view of the embodiment shown in FIG. 1;

FIG. 10 is a front perspective view of a cooler, showing our new design in another exemplary embodiment;

FIG. 11 is a front perspective view of the embodiment shown in FIG. 10, the cooler being shown in another configuration;

FIG. 12 is a front elevation view of the embodiment shown in FIG. 10;

FIG. 13 is a rear elevation view of the embodiment shown in FIG. 10;

FIG. 14 is a top plan view of the embodiment shown in FIG. 10;

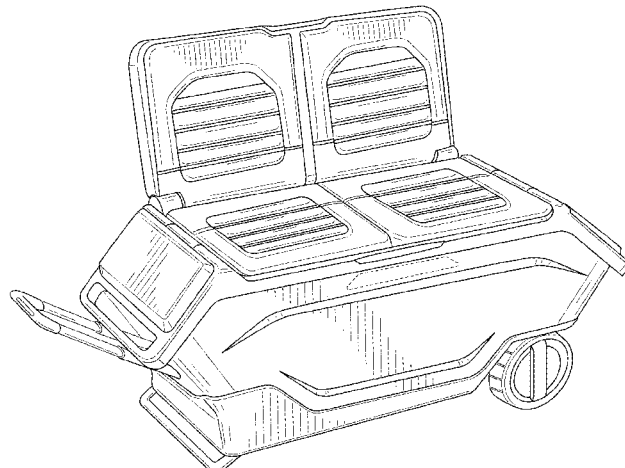
FIG. 15 is a bottom plan view of the embodiment shown in FIG. 10;

FIG. 16 is a side elevation view of the embodiment shown in FIG. 10; and,

FIG. 17 is another side elevation view of the embodiment shown in FIG. 10.

The broken lines are for illustrative purposes only and form no part of the claimed design.

**1 Claim, 17 Drawing Sheets**



(56)

References Cited

U.S. PATENT DOCUMENTS

4,460,188 A \* 7/1984 Maloof ..... 280/30  
 4,724,681 A \* 2/1988 Bartholomew et al. .... 62/239  
 4,846,493 A \* 7/1989 Mason ..... 280/641  
 5,100,198 A \* 3/1992 Baltzell ..... 312/235.2  
 5,269,157 A \* 12/1993 Ciminelli et al. .... 62/457.7  
 5,313,817 A \* 5/1994 Meinders ..... 62/457.1  
 5,480,170 A \* 1/1996 Kaiser, II ..... 280/30  
 D368,387 S \* 4/1996 Bureau ..... D6/397  
 D369,695 S \* 5/1996 Imotani ..... D6/397  
 5,727,844 A 3/1998 O'Quinn et al.  
 5,803,472 A \* 9/1998 Lien ..... 280/47.26

D415,658 S \* 10/1999 Frehse ..... D7/605  
 6,311,991 B1 \* 11/2001 Conrado et al. .... 280/47.26  
 D484,004 S \* 12/2003 Lee ..... D7/605  
 6,993,931 B1 \* 2/2006 Hamilton ..... 62/457.7  
 7,163,262 B2 \* 1/2007 Anglin ..... 297/217.1  
 7,559,602 B2 7/2009 Ward et al.  
 D604,994 S \* 12/2009 Greenlees et al. .... D7/605  
 7,810,350 B2 10/2010 Shelton  
 D652,263 S \* 1/2012 Whitman ..... D7/605  
 D667,697 S \* 9/2012 Shah ..... D7/605  
 8,356,712 B2 1/2013 Piazza, Jr.  
 2007/0101754 A1 \* 5/2007 Maldonado ..... 62/389  
 2008/0223862 A1 \* 9/2008 Vanderberg et al. .... 220/592.03  
 2009/0217699 A1 9/2009 Ball

\* cited by examiner

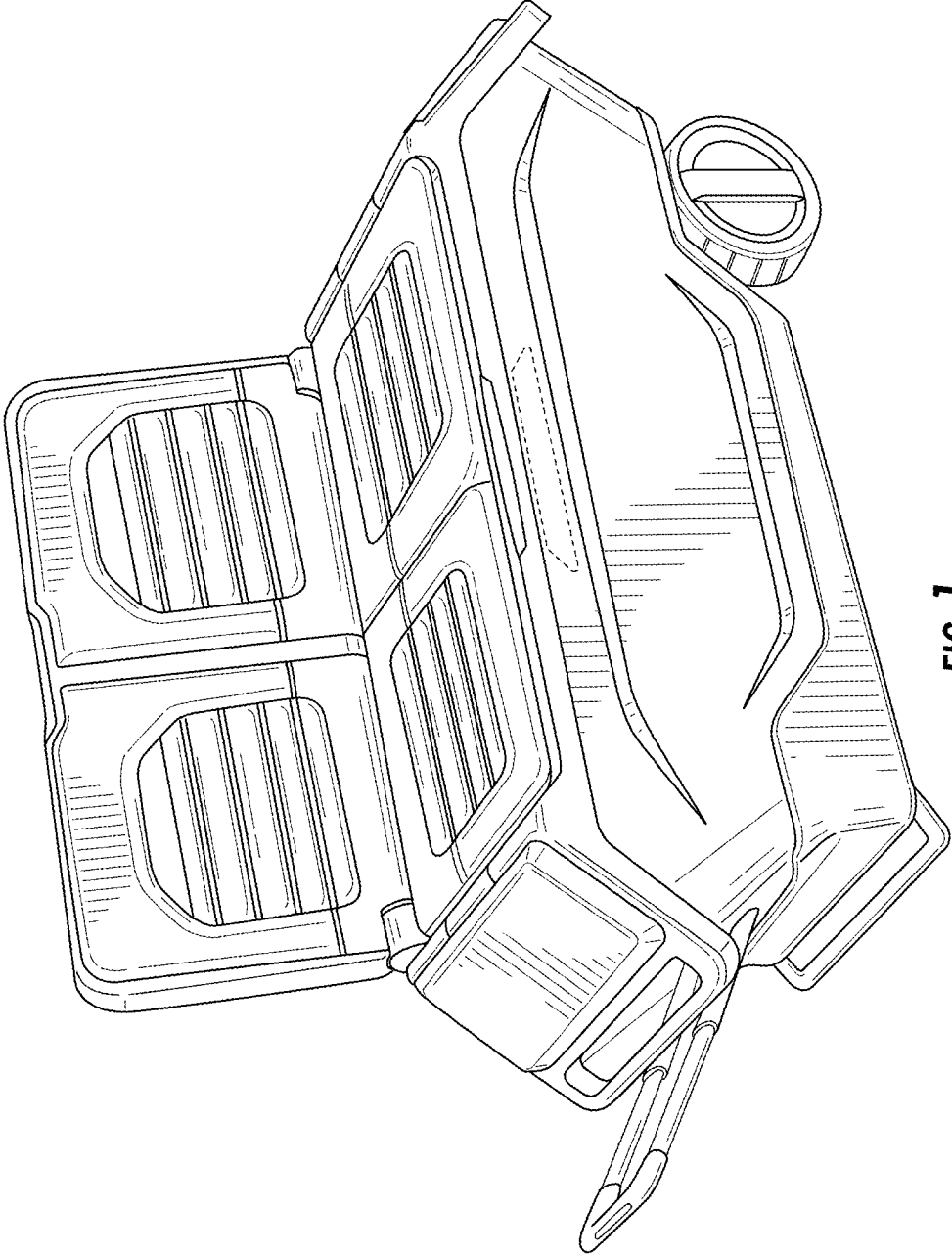


FIG. 1

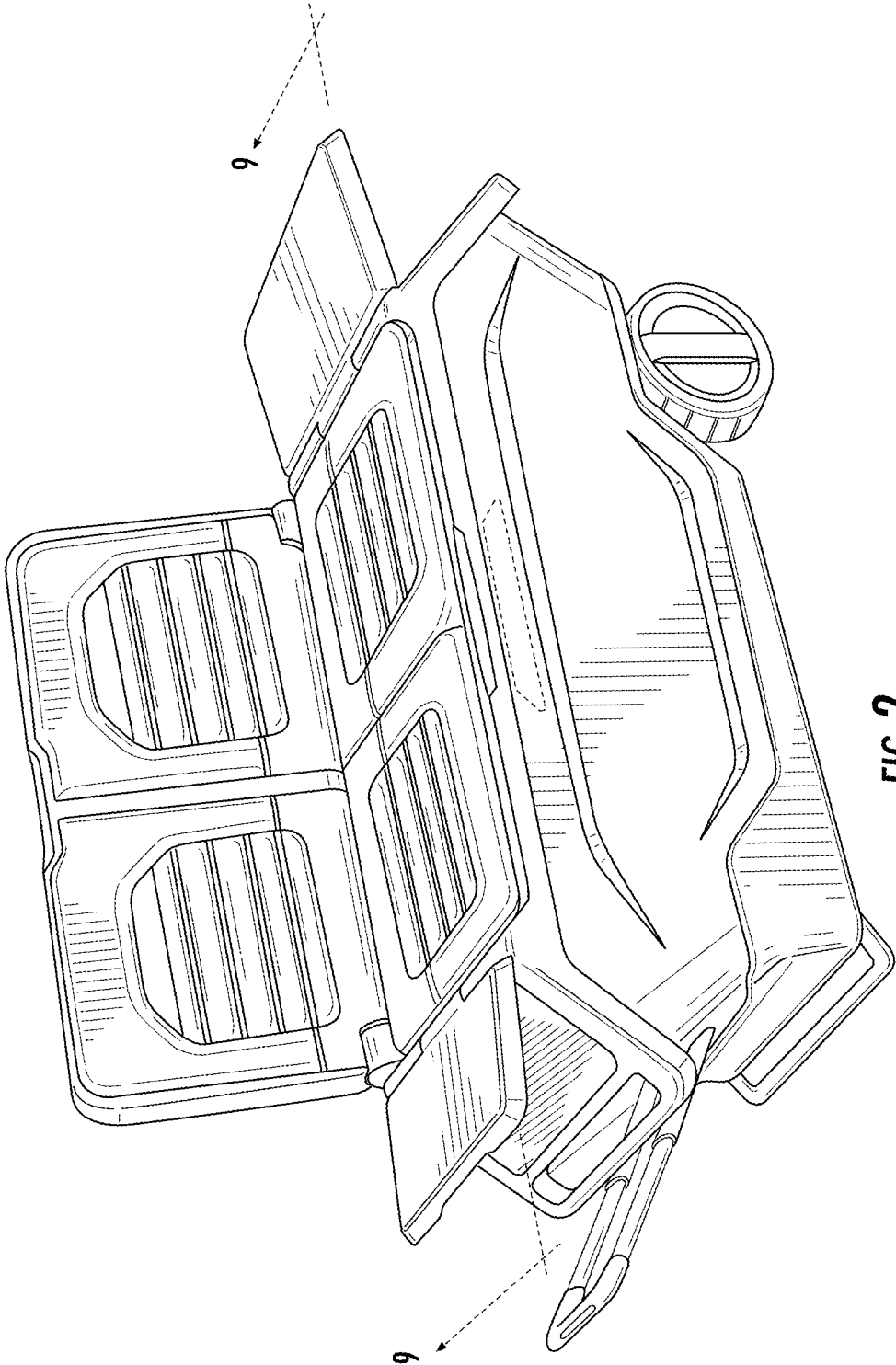


FIG. 2

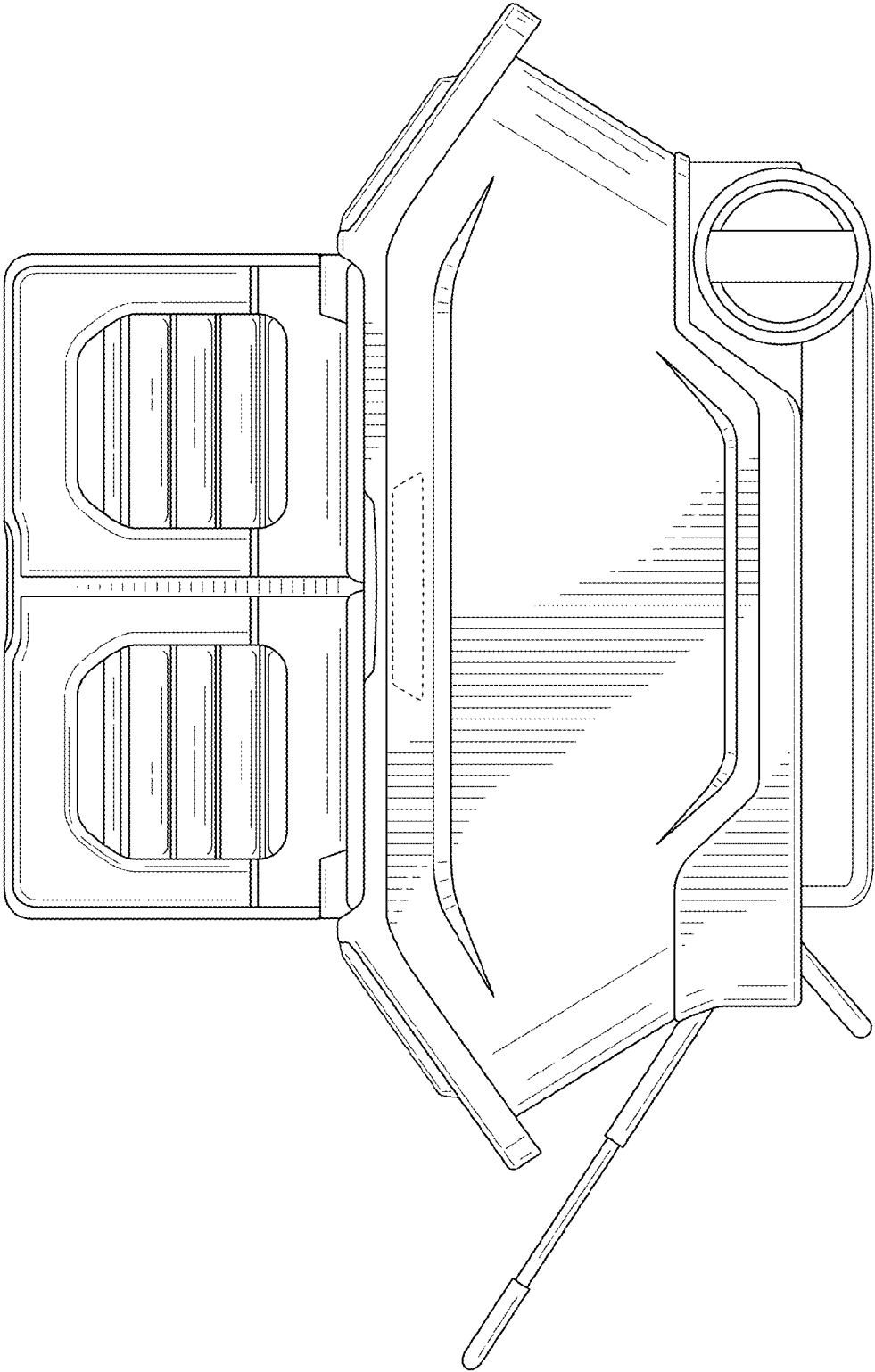


FIG. 3

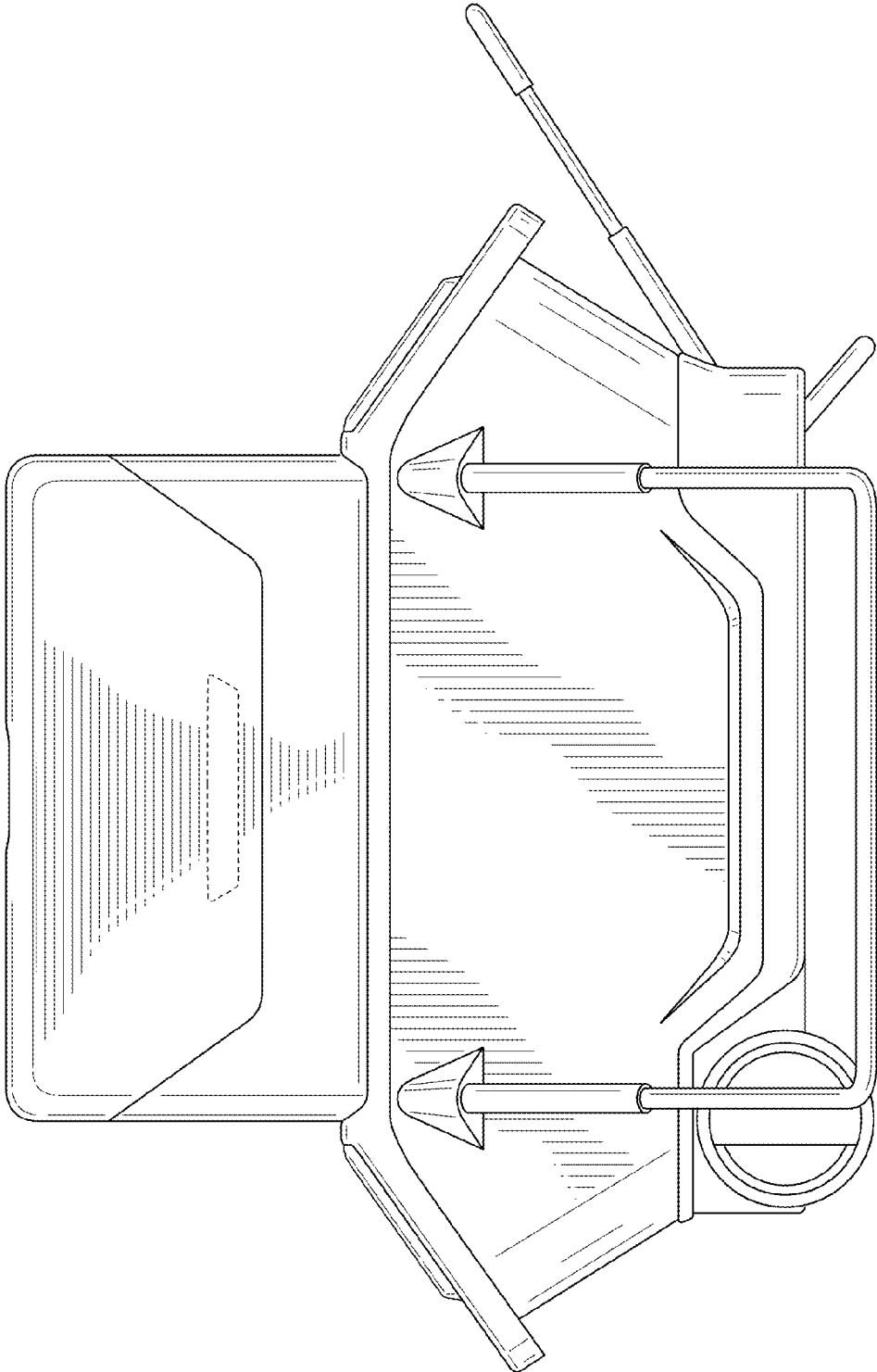


FIG. 4

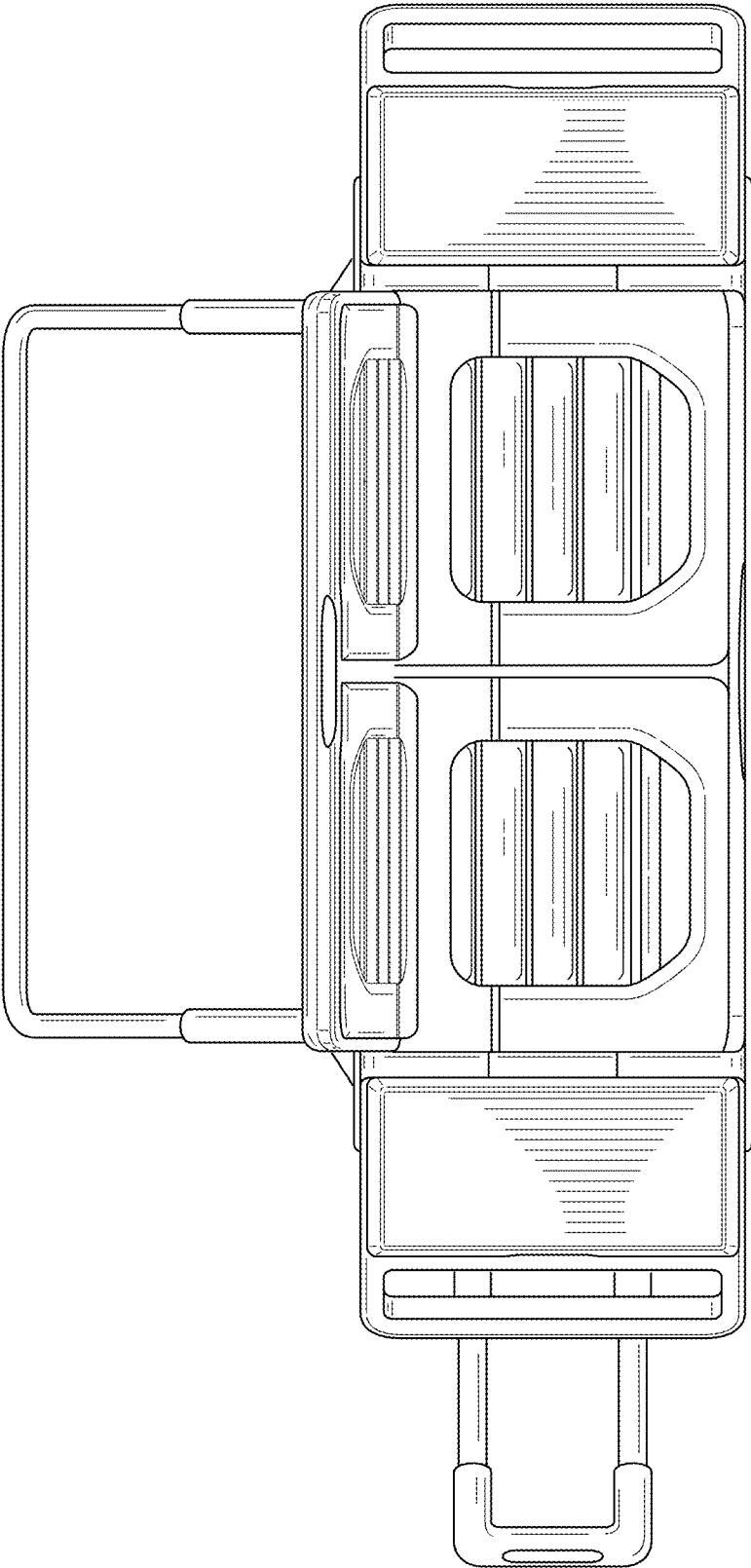


FIG. 5

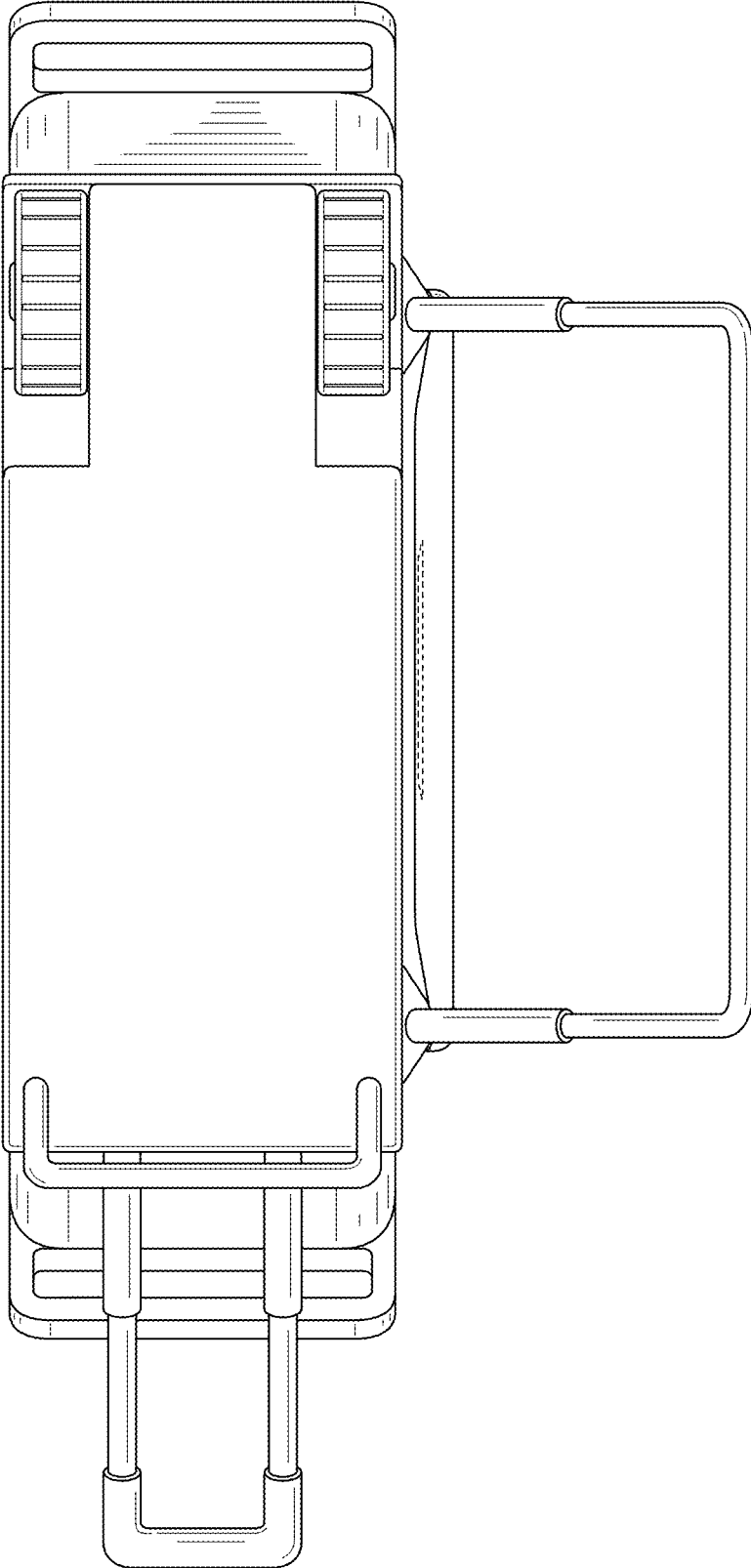


FIG. 6



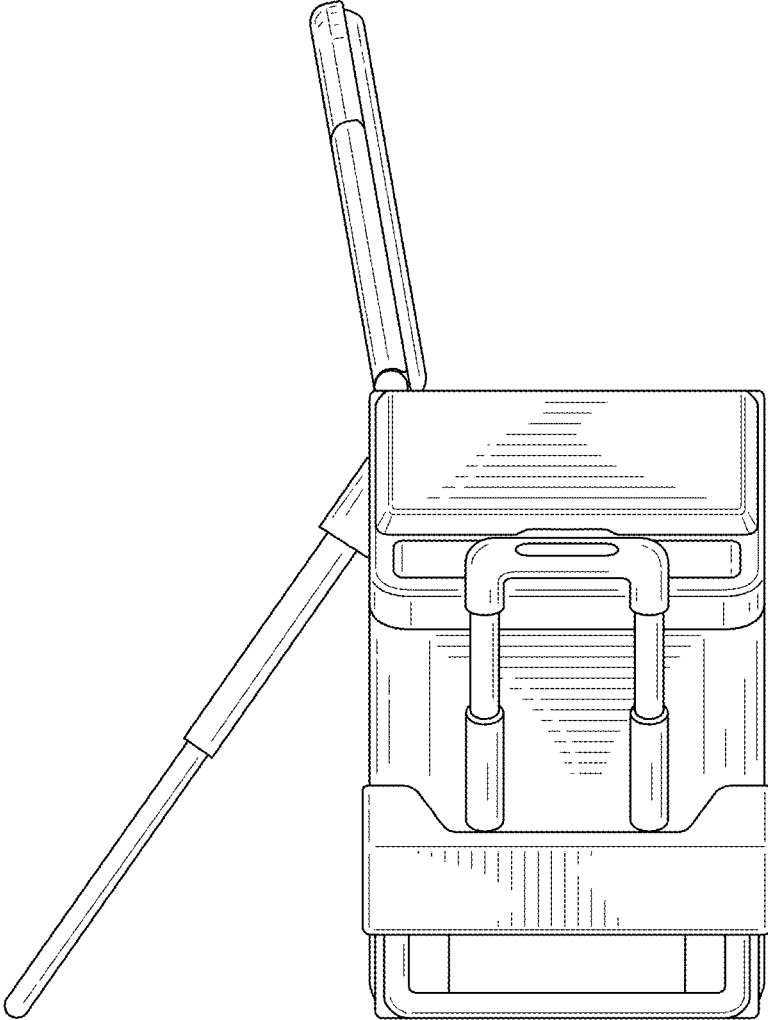
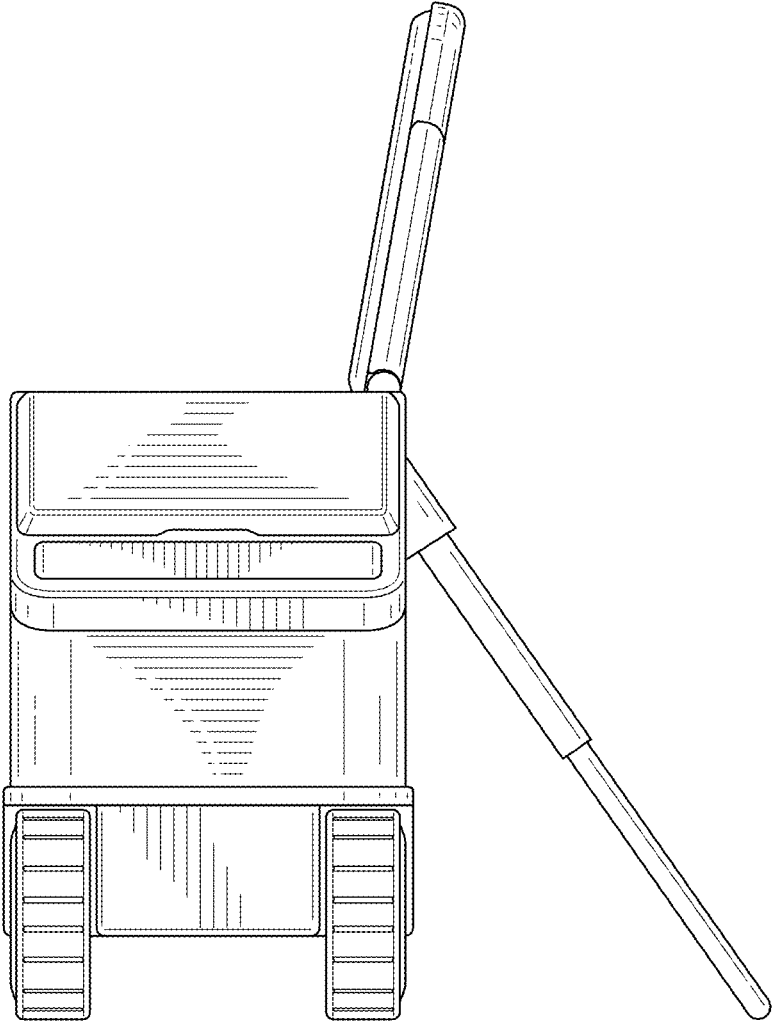


FIG. 7



**FIG. 8**

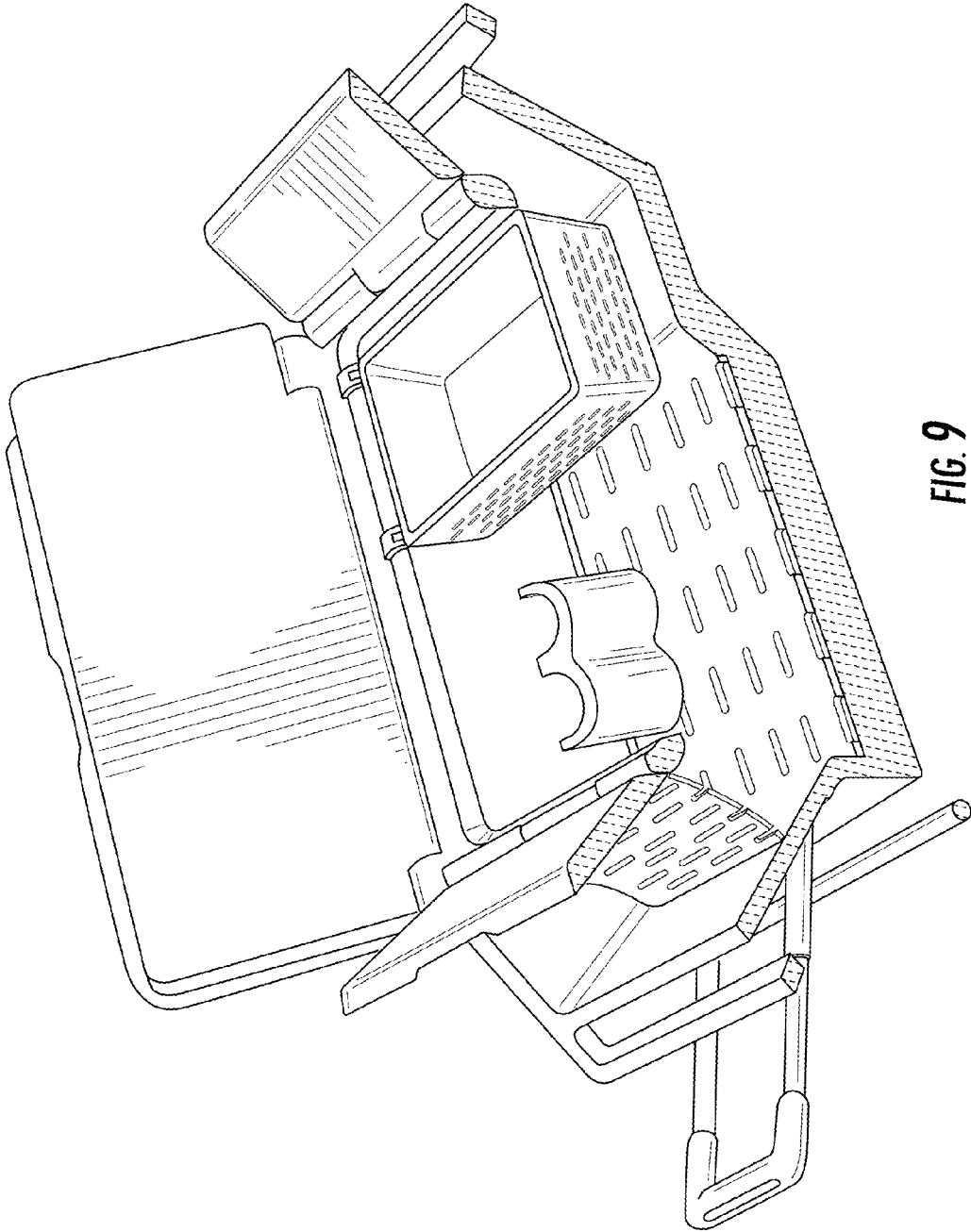


FIG. 9

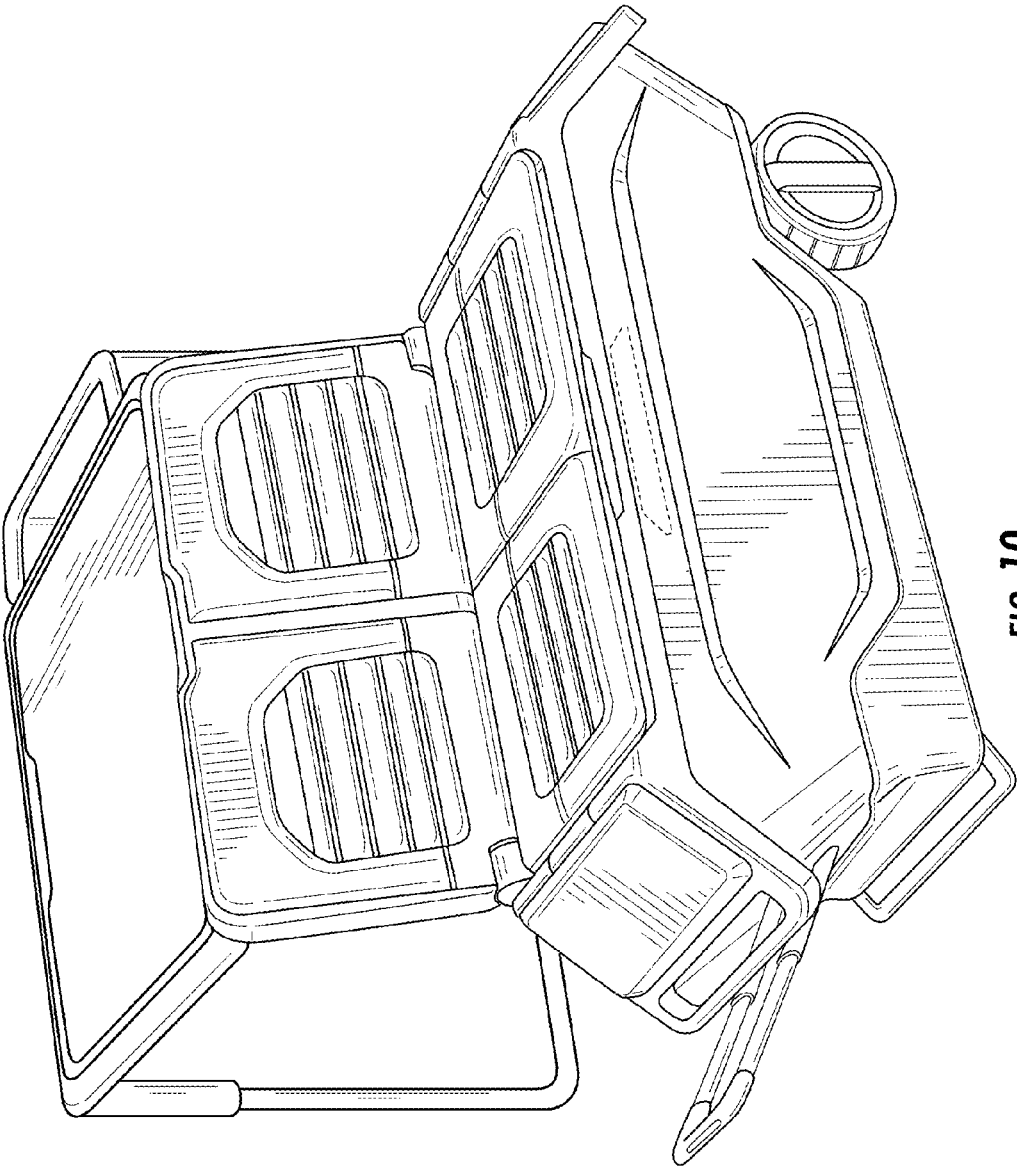


FIG. 10

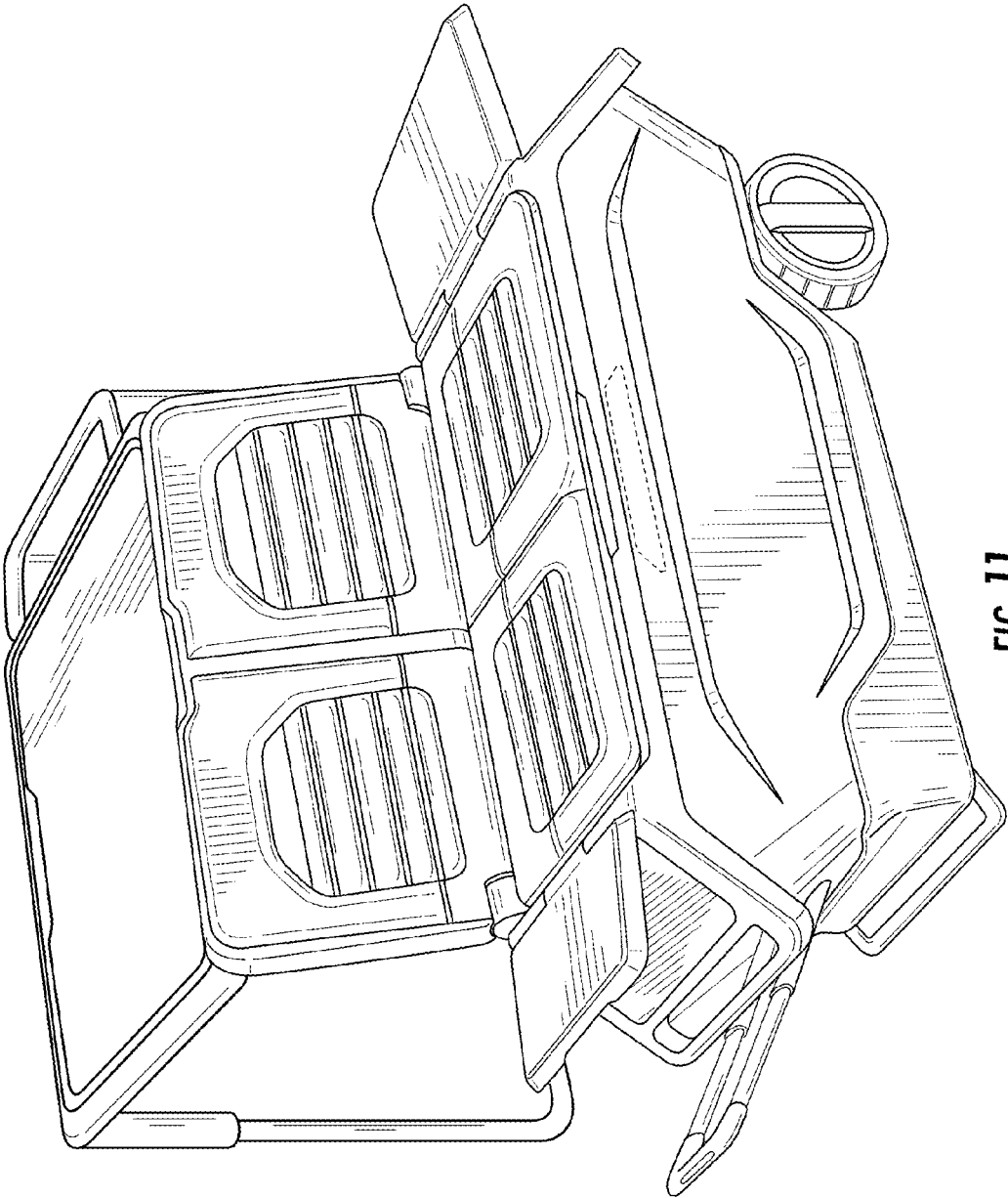


FIG. 11

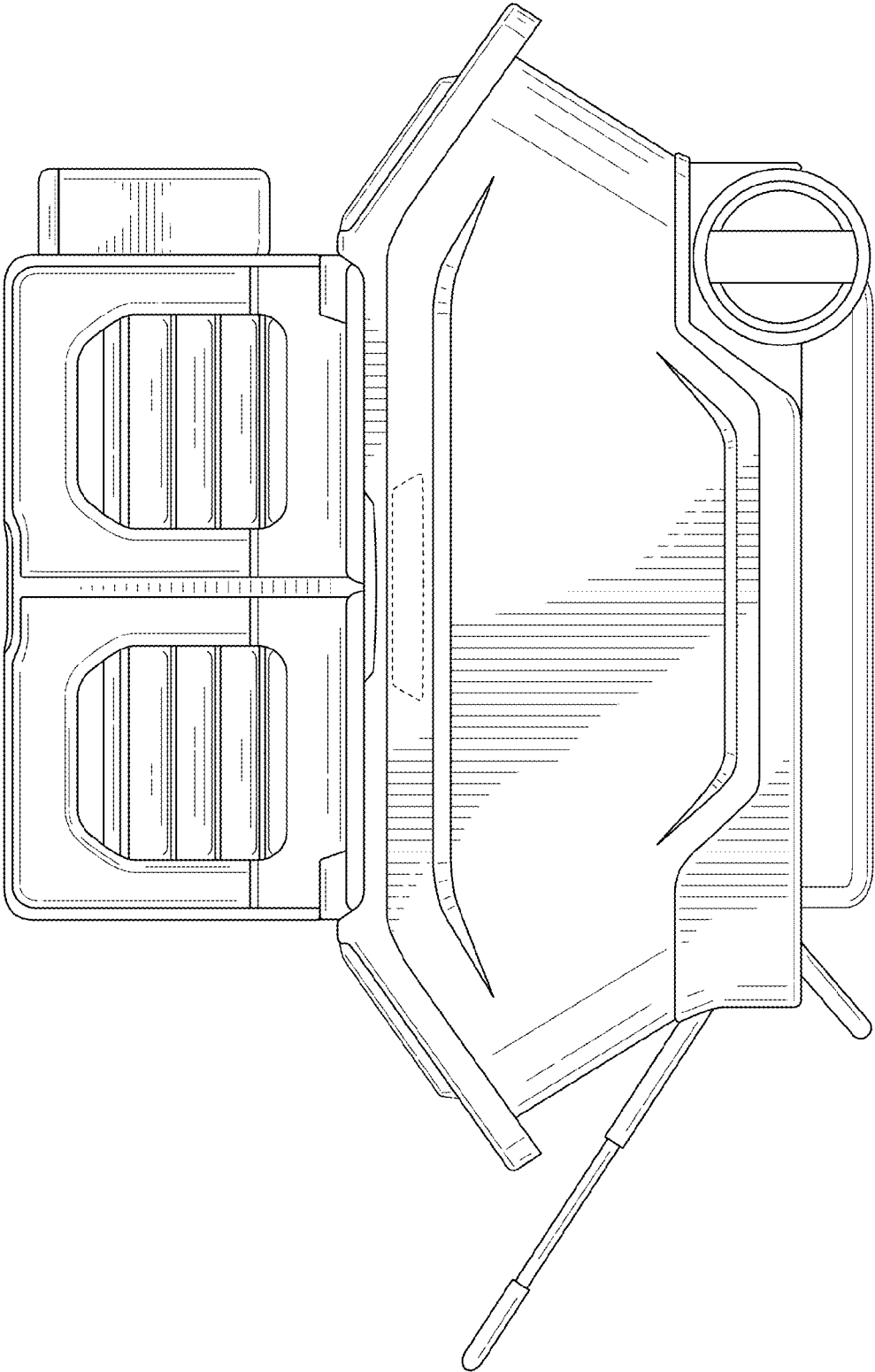


FIG. 12

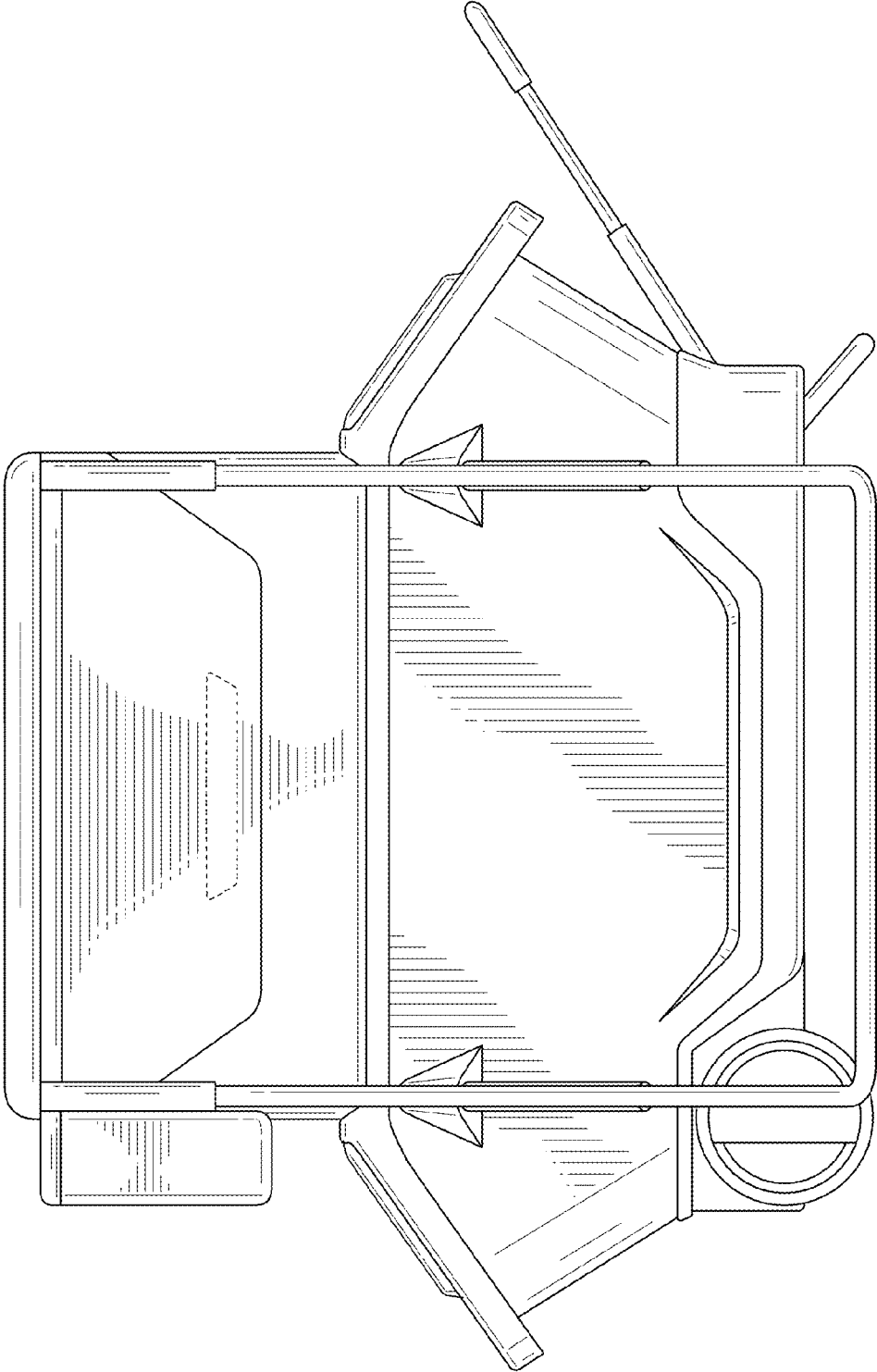


FIG. 13

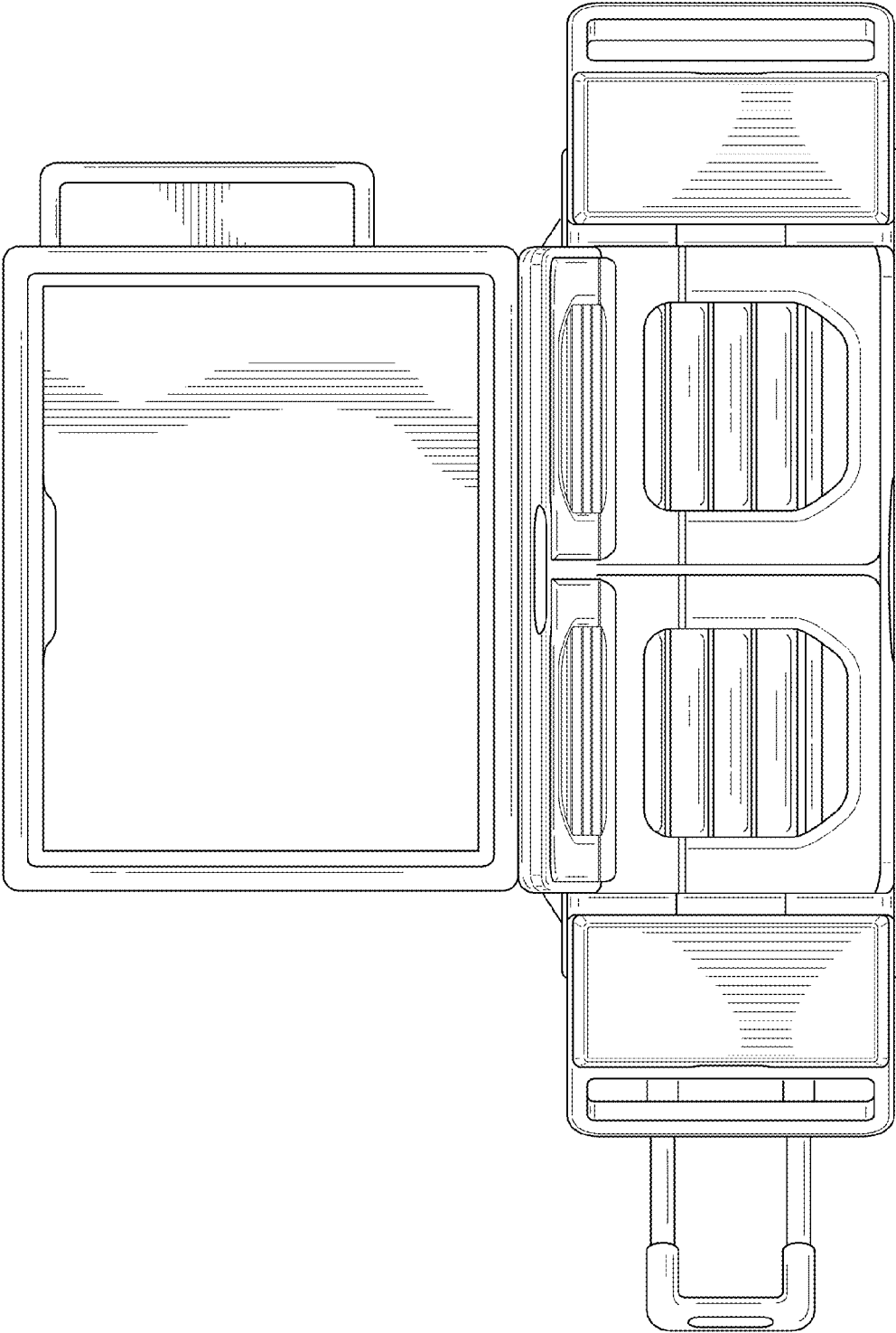


FIG. 14



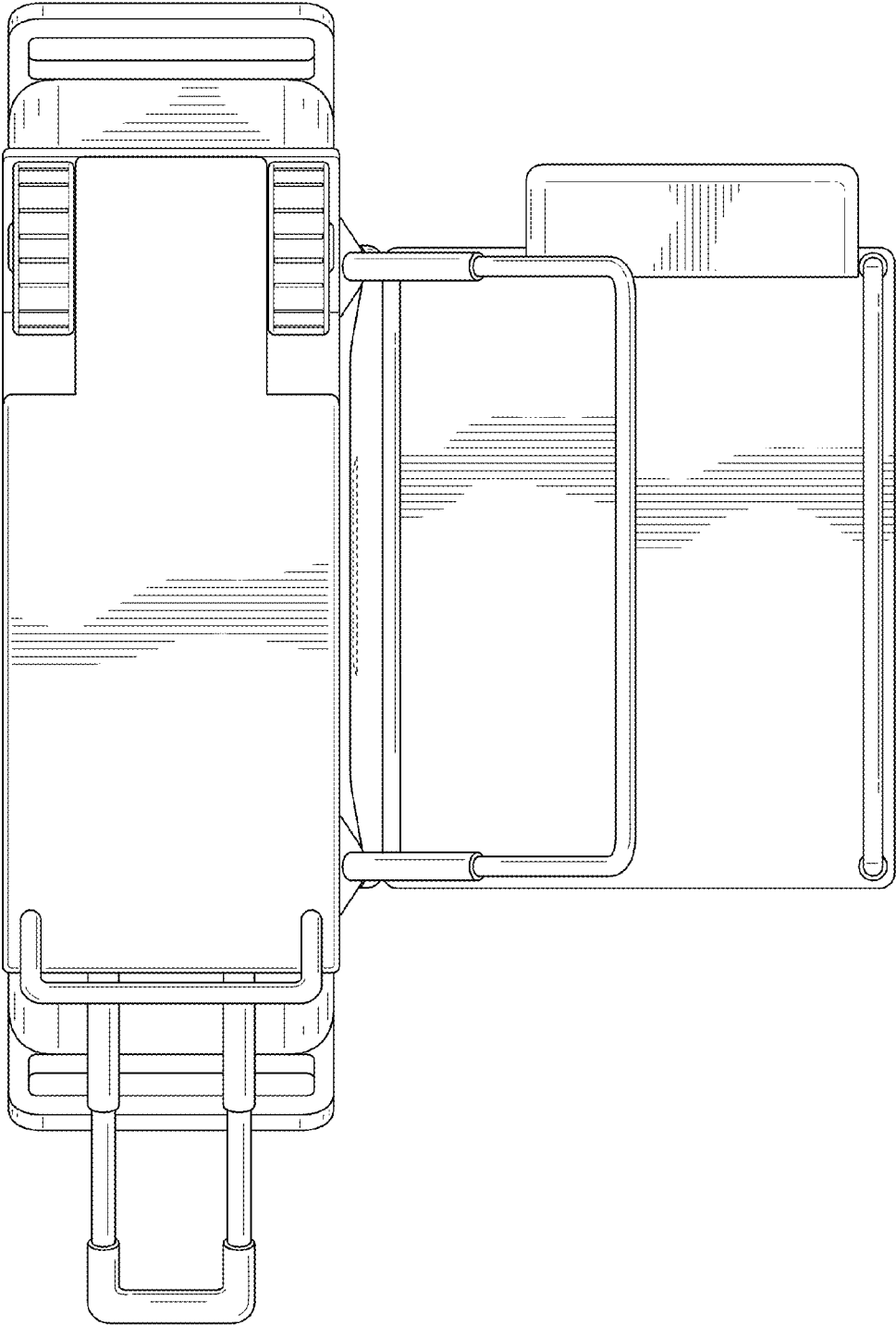


FIG. 15

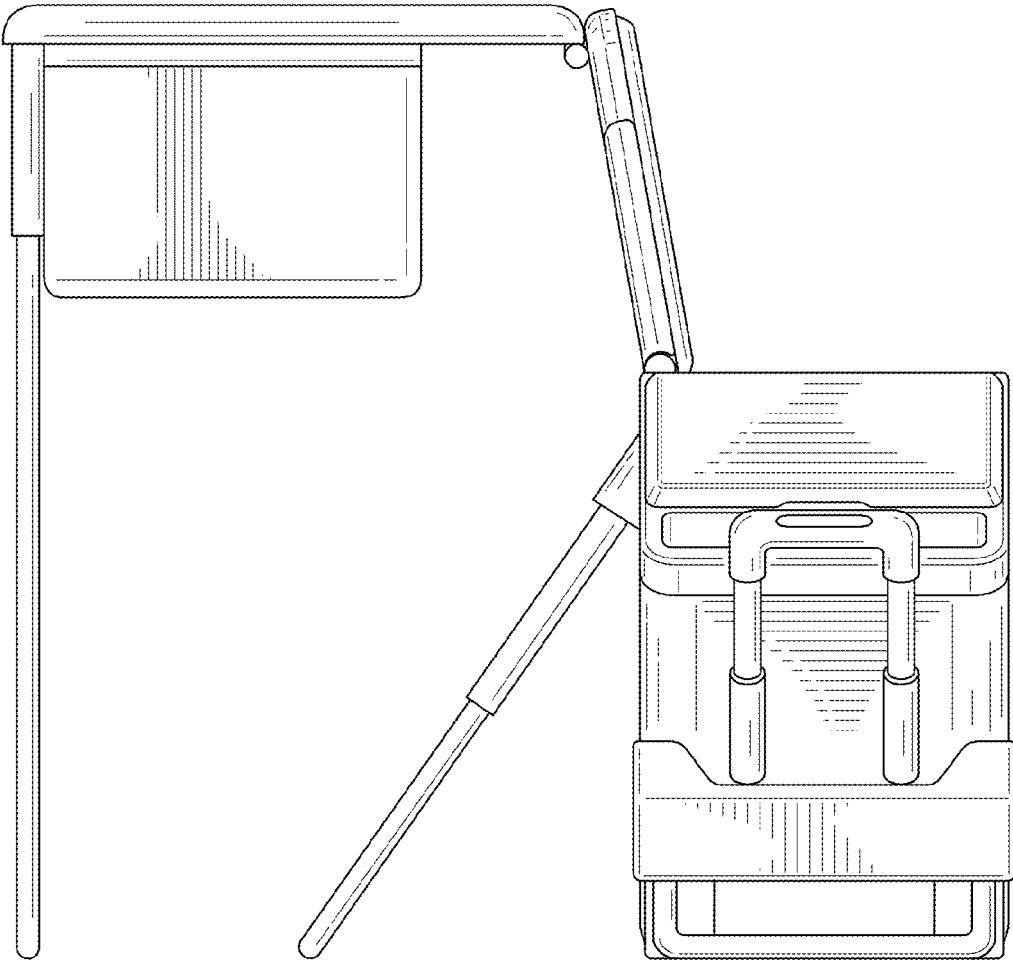


FIG. 16

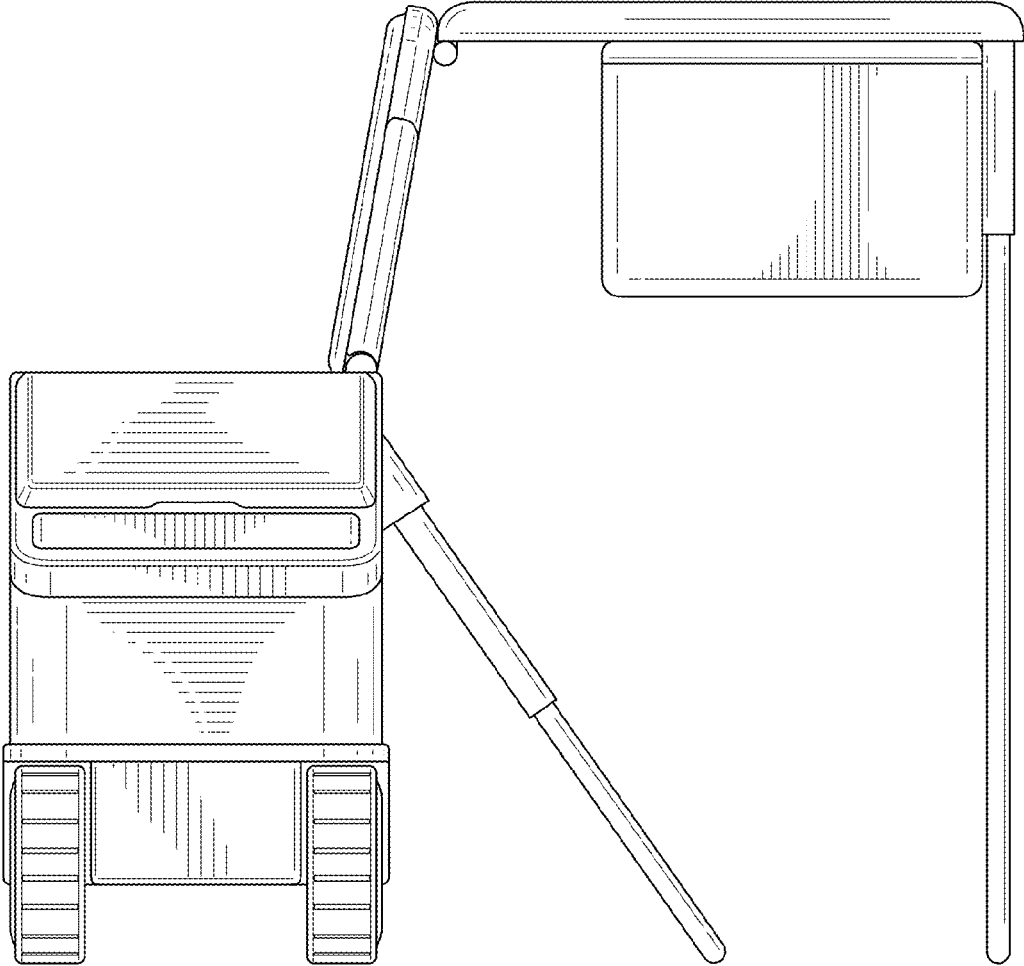


FIG. 17